



Combination Swing plus 2 Standard Swings



Net Climber (5-12 year old)

LEGEND:

	CONSTRUCTION LIMITS
	LAYOUT CONTROL POINT
	ARC TANGENT LINE
	CENTERLINE
	BITUMINOUS PATCH
	4" THICK CONCRETE PAVEMENT
	6" THICK CONCRETE PAVEMENT



Seat Spinner



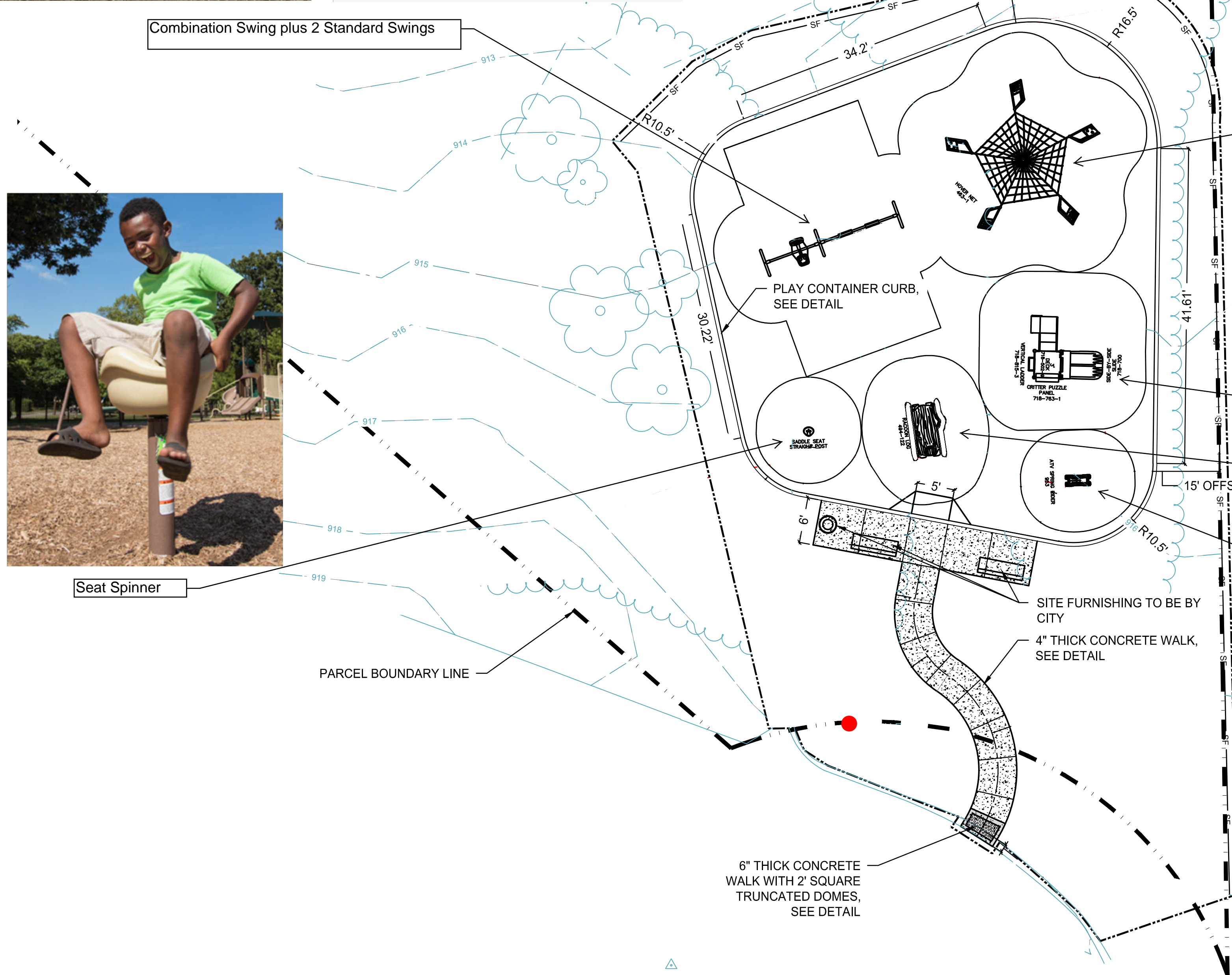
2-5 year old play equipment
(Interactive spinners, double slide)



Raccoon Log



ATV Spring Rider



REVISIONS

NO.	DATE	DESCRIPTION

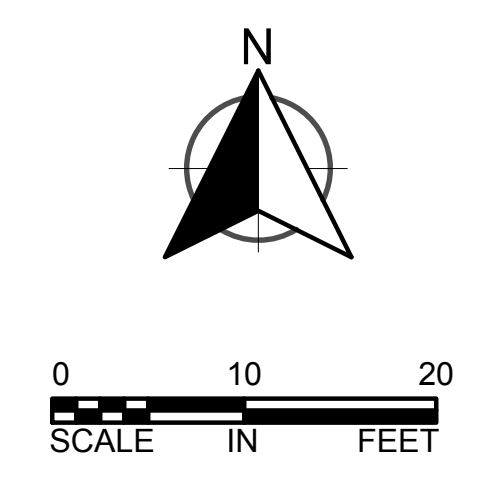
I HEREBY CERTIFY THAT THIS PLAN, SPECIFICATION OR REPORT WAS PREPARED BY ME OR UNDER MY DIRECT SUPERVISION AND THAT I AM A DULY LICENSED LANDSCAPE ARCHITECT UNDER THE LAWS OF THE STATE OF MINNESOTA.

STEVEN D. FOSS
DATE: 05/27/2020 LIC. NO.: 56592

ROBINWOOD PARK IMPROVEMENT PROJECT
CITY OF MINNETONKA

OVERALL LAYOUT PLAN

K:\015748-000\Cad\Plan\015748-000_L3SITE-PLAN.dwg 5/27/2020 12:24:48 PM



LEGEND:

	CONSTRUCTION LIMITS
	PROPOSED CONTOUR
	TURF SEED MIX WITH EROSION CONTROL BLANKET
	NATIVE SEED MIX WITH EROSION CONTROL BLANKET
	SILT FENCE



Medora Juniper (3)



Daylily (12)



Prairie Dropseed (6)

REVISIONS

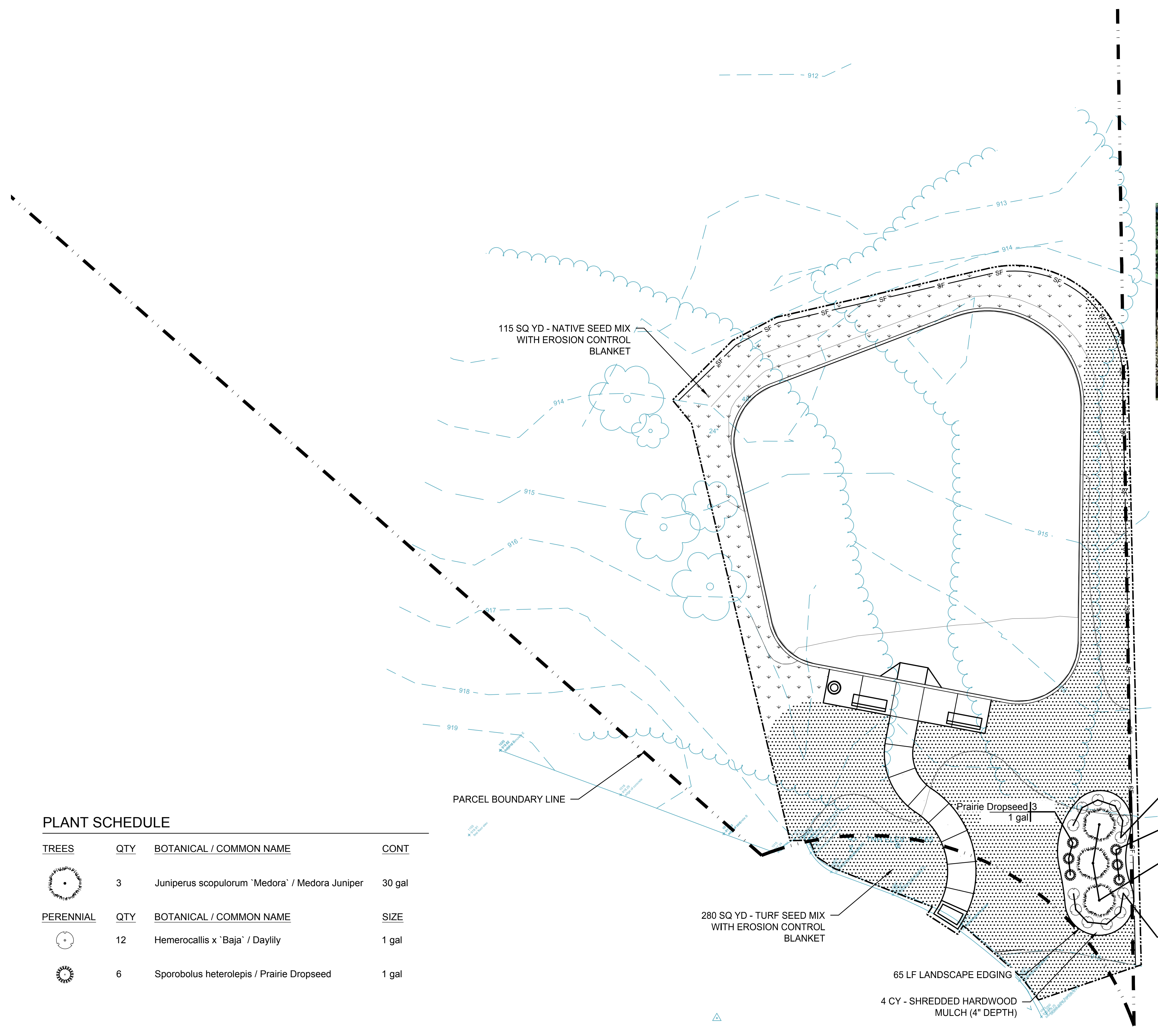
NO.	DATE	DESCRIPTION

I HEREBY CERTIFY THAT THIS PLAN, SPECIFICATION OR REPORT WAS PREPARED BY ME OR UNDER MY DIRECT SUPERVISION AND THAT I AM A DULY LICENSED LANDSCAPE ARCHITECT UNDER THE LAWS OF THE STATE OF MINNESOTA.

STEVEN D. FOSS
LIC. NO. 56582
DATE: 05/27/2020

ROBINWOOD PARK IMPROVEMENT PROJECT
CITY OF MINNETONKA

OVERALL RESTORATION PLAN



PLANT SCHEDULE

TREES	QTY	BOTANICAL / COMMON NAME	CONT
	3	Juniperus scopulorum 'Medora' / Medora Juniper	30 gal
PERENNIAL	QTY	BOTANICAL / COMMON NAME	SIZE
	12	Hemerocallis x 'Baja' / Daylily	1 gal
	6	Sporobolus heterolepis / Prairie Dropseed	1 gal

- 6 Daylily 1 gal
- 3 Prairie Dropseed 1 gal
- 3 Medora Juniper 30 gal
- 6 Daylily 1 gal
- Prairie Dropseed 3 1 gal

K:\015748-000\Cad\Plan\015748-000_L-PRINT-PLAN.dwg 5/27/2020 12:25:14 PM

