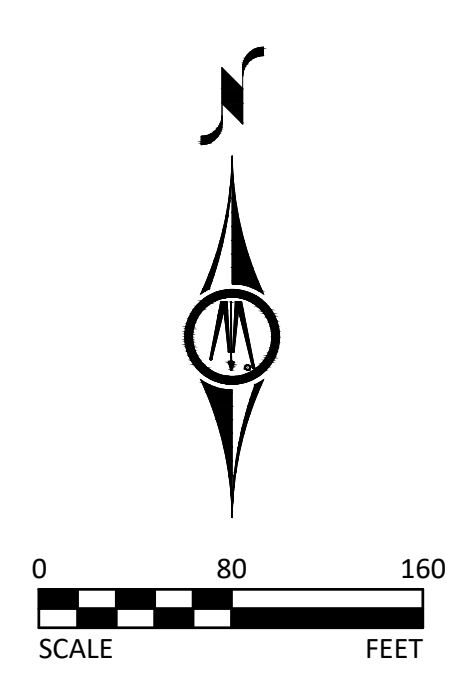
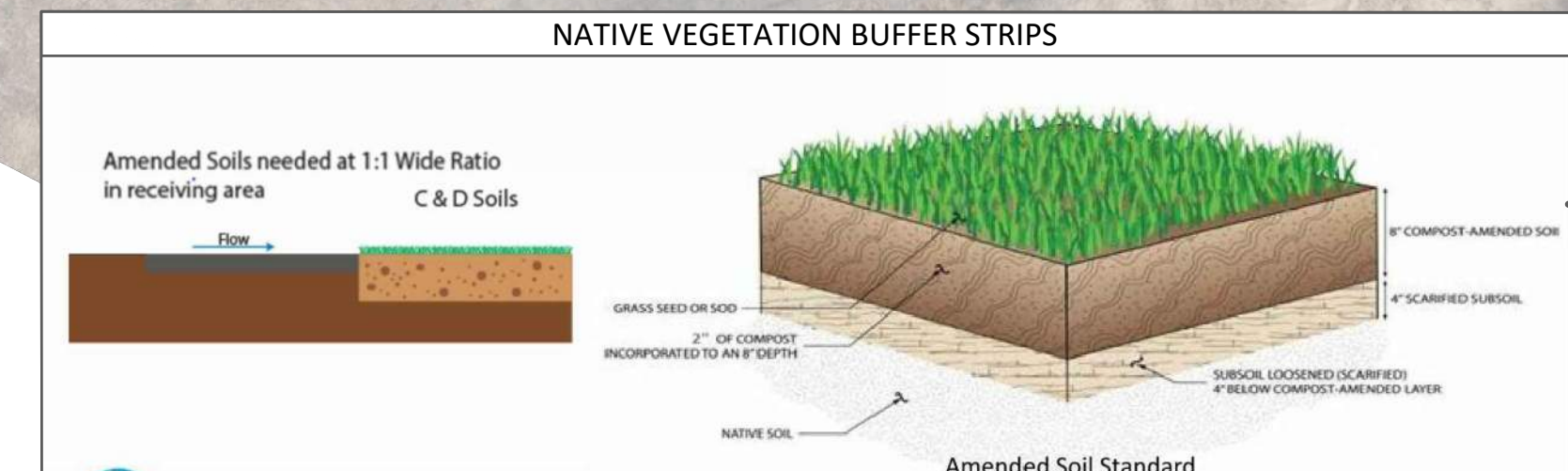
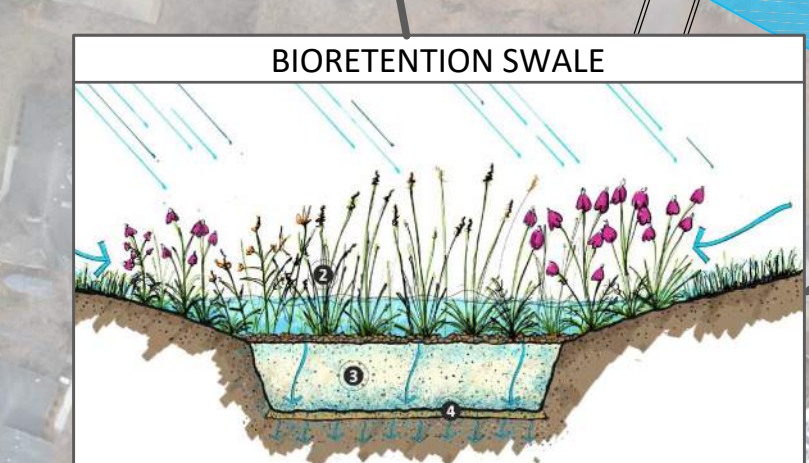
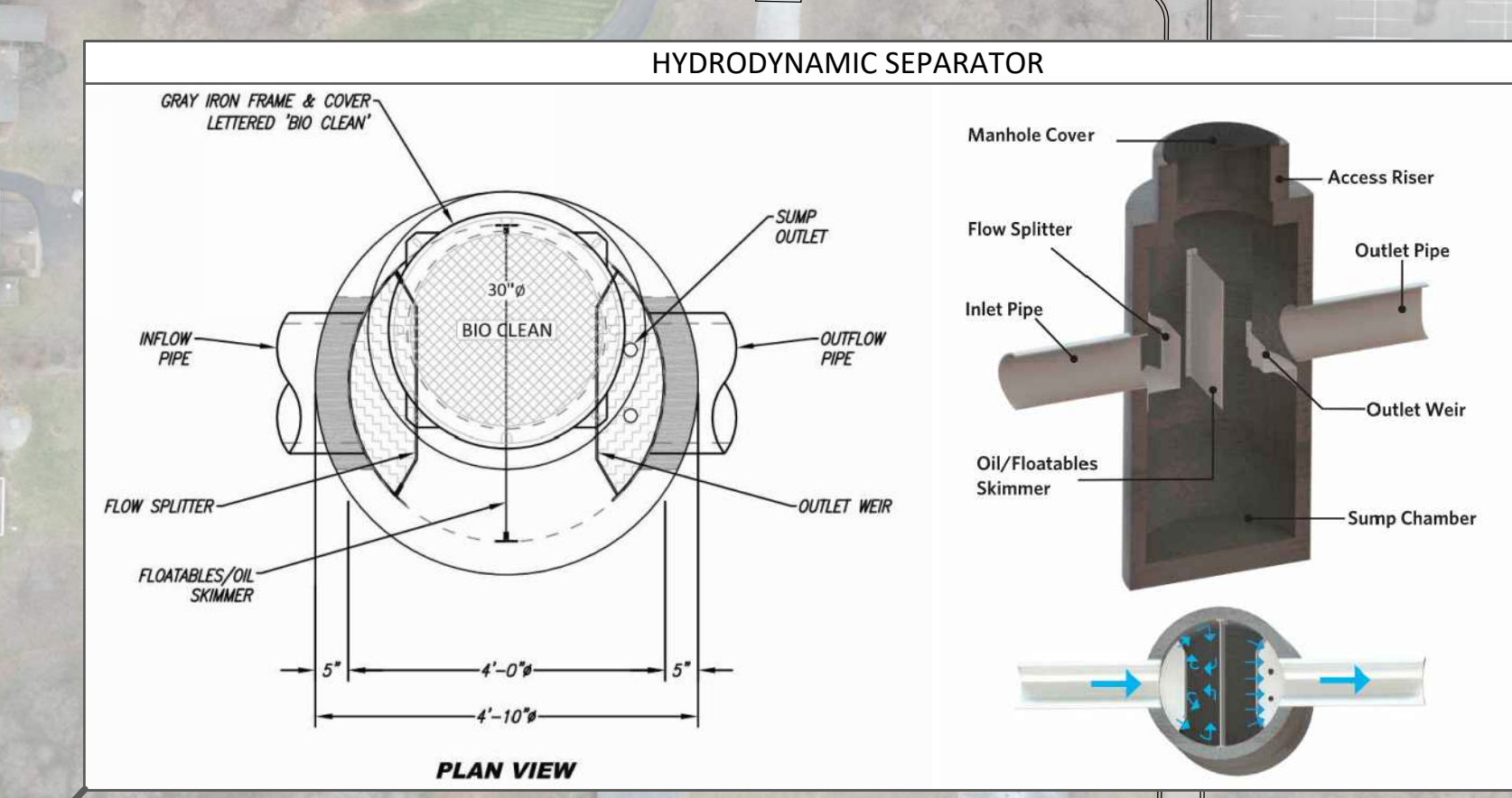
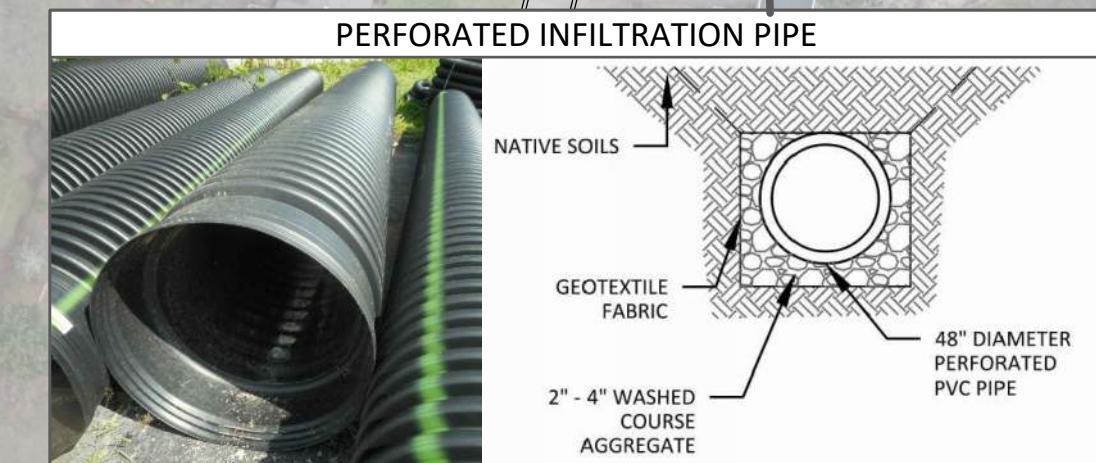
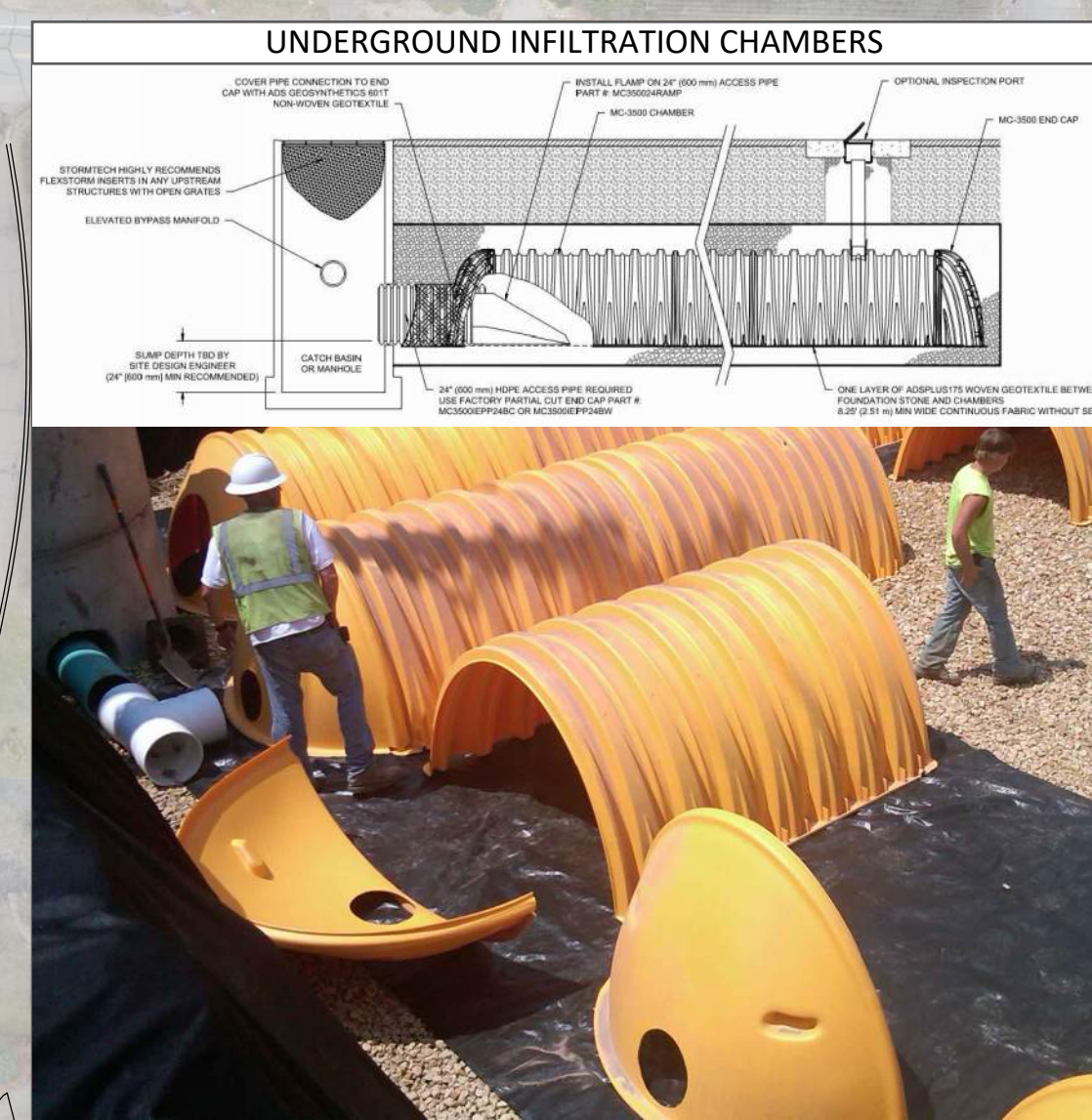


STORMWATER BMP LOCATIONS

LEGEND

- STORMWATER CHAMBER BMPs
- STORMWATER PERFORATED PIPE BMPs
- HYDRODYNAMIC SEPARATOR STRUCTURES
- BUFFER STRIPS
- BIORETENTION SWALE
- STORM WATER POND



JUNE 2021

MINNETONKA CARES ABOUT WATER QUALITY AND THE ENVIRONMENT WHERE WE ALL LIVE, WORK AND PLAY. TO CAPITALIZE ON THE OPPORTUNITY CREATED BY RECONSTRUCTING THE TONKA WOODCROFT NEIGHBORHOOD STREETS AND UTILITIES, THE CITY IS IMPLEMENTING SEVERAL WATER QUALITY AND WATER VOLUME CONTROL STRATEGIES AS PART OF THIS PROJECT.

H:\MNTA\11912148\2_Preliminary\B_Layouts\FIG. 12148-9-PROJECT_LAYOUT_PUBLIC.MXD, STORMWATER.dwg, 07/29/2021, 10:28:22 PM